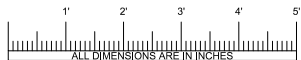
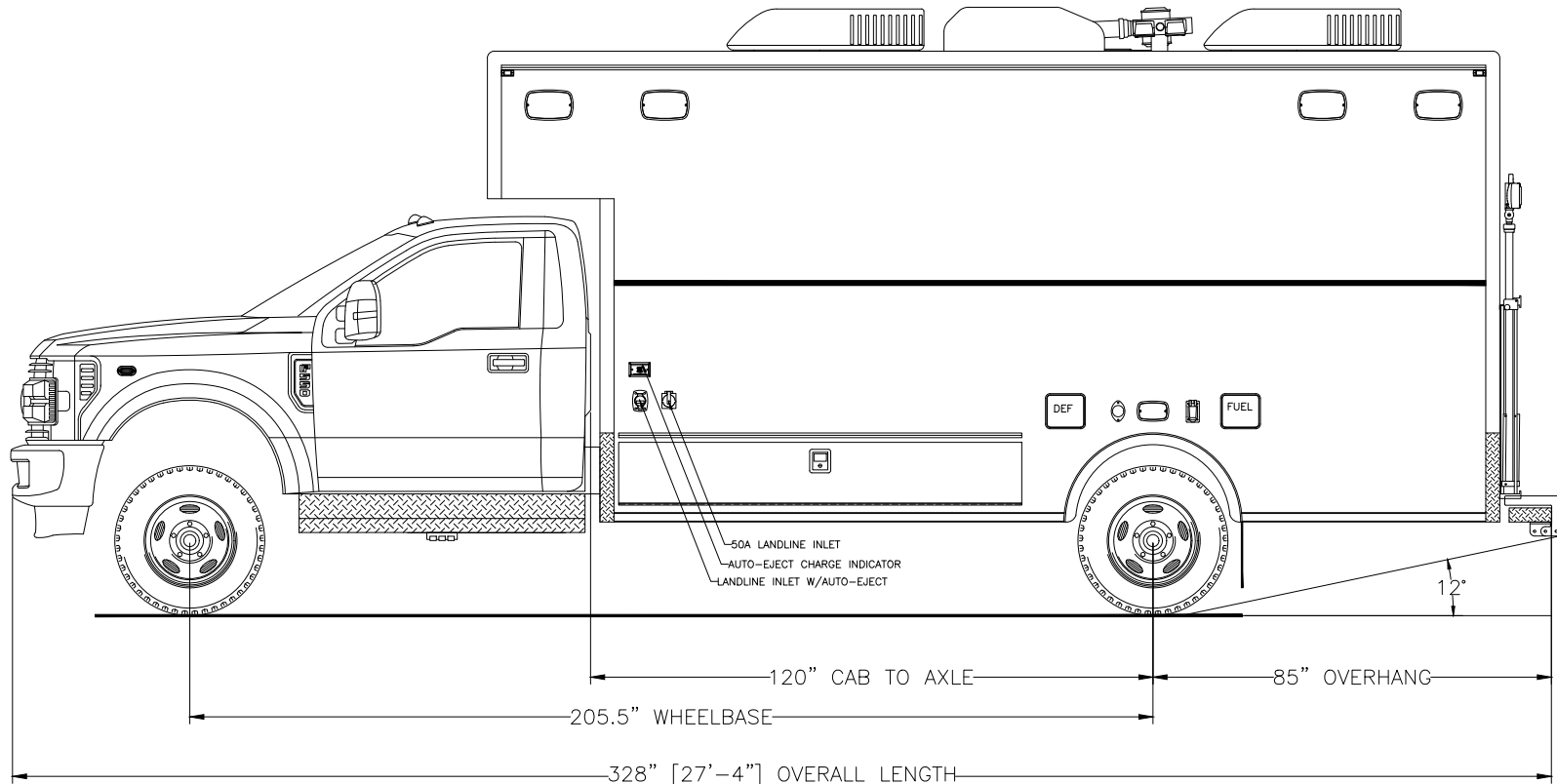




705 13TH STREET, LAKE PARK, FL  
800-848-6652

Somerset County Prosecutions Office  
Somerville, New Jersey



Streetside Overall

**PRELIMINARY**

NOTICE

THIS DRAWING IS A REPRESENTATION OF THE VEHICLE AND/OR COMPONENTS AS DESCRIBED IN THE SPECIFICATIONS FOR THE DATE SHOWN. EVI RESERVES THE RIGHT TO MAKE CHANGES, AS NECESSARY, DURING THE PRODUCTION PROCESS TO ACCOMMODATE BEST MANUFACTURING PROCESSES AND TO ENSURE WE PROVIDE A CONSISTENTLY HIGH QUALITY PRODUCT.

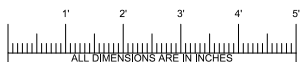
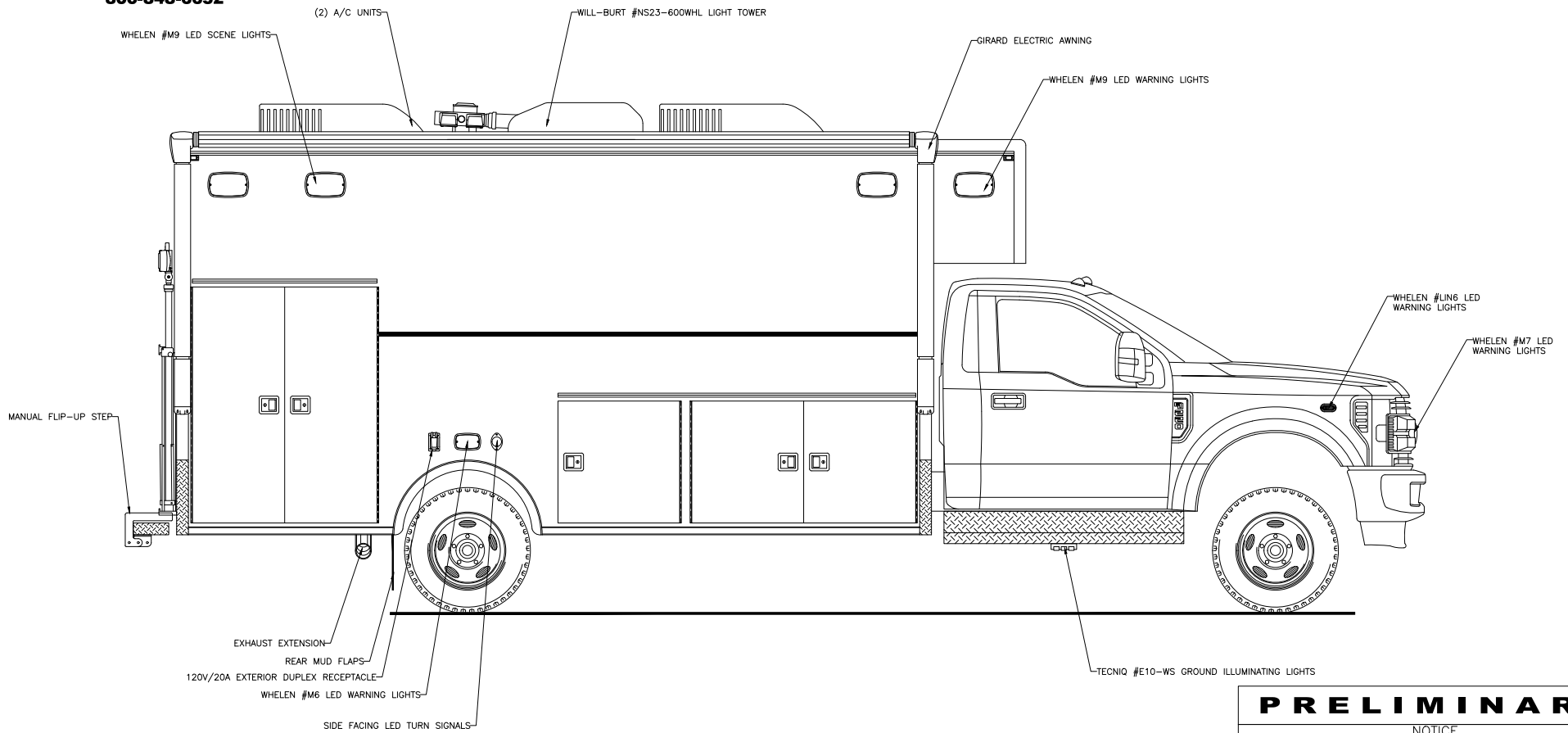
REVISION 1	-	THESE DESIGN/ENGINEERING DRAWING(S) ARE THE PROPERTY OF EMERGENCY VEHICLES, INC. THEY ARE PROPRIETARY, AND ARE FOR THE EXCLUSIVE USE OF YOUR ENTITY. ANY DIVULGING OF THIS DATA TO A THIRD PARTY IS PROHIBITED.
REVISION 2	-	
REVISION 3	-	
REVISION 4	-	
REVISION 5	-	
REVISION 6	-	

DATE: 05/25/22



705 13TH STREET, LAKE PARK, FL  
800-848-6652

# Somerset County Prosecutions Office Somerville, New Jersey



## Curbside Overall

**PRELIMINARY**

NOTICE

THIS DRAWING IS A REPRESENTATION OF THE VEHICLE AND/OR COMPONENTS AS DESCRIBED IN THE SPECIFICATIONS FOR THE DATE SHOWN. EVI RESERVES THE RIGHT TO MAKE CHANGES, AS NECESSARY, DURING THE PRODUCTION PROCESS TO ACCOMMODATE BEST MANUFACTURING PROCESSES AND TO ENSURE WE PROVIDE A CONSISTENTLY HIGH QUALITY PRODUCT.

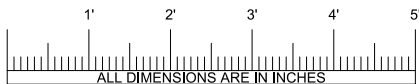
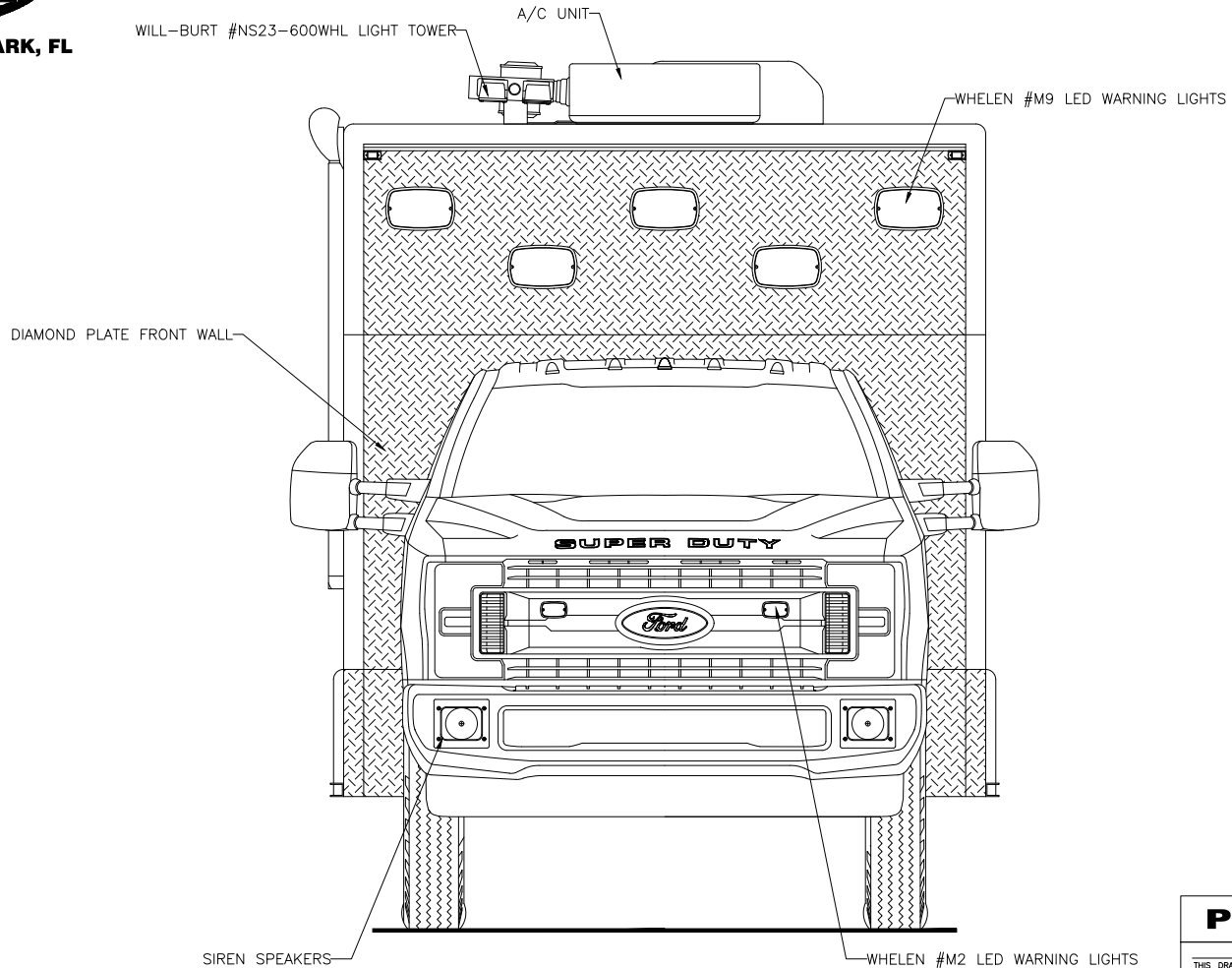
REVISION 1	-	THESE DESIGN/ENGINEERING DRAWING(S) ARE THE PROPERTY OF EMERGENCY VEHICLES, INC. THEY ARE PROPRIETARY, AND ARE FOR THE EXCLUSIVE USE OF YOUR ENTITY. ANY DIVULGING OF THIS DATA TO A THIRD PARTY IS PROHIBITED.
REVISION 2	-	
REVISION 3	-	
REVISION 4	-	
REVISION 5	-	
REVISION 6	-	

DATE: 05/25/22



705 13TH STREET, LAKE PARK, FL  
800-848-6652

# Somerset County Prosecutions Office Somerville, New Jersey



*Front View*

## PRELIMINARY

### NOTICE

THIS DRAWING IS A REPRESENTATION OF THE VEHICLE AND/OR COMPONENTS AS DESCRIBED IN THE SPECIFICATIONS FOR THE DATE SHOWN. EVI RESERVES THE RIGHT TO MAKE CHANGES, AS NECESSARY, DURING THE PRODUCTION PROCESS TO ACCOMMODATE BEST MANUFACTURING PROCESSES AND TO ENSURE WE PROVIDE A CONSISTENTLY HIGH QUALITY PRODUCT.

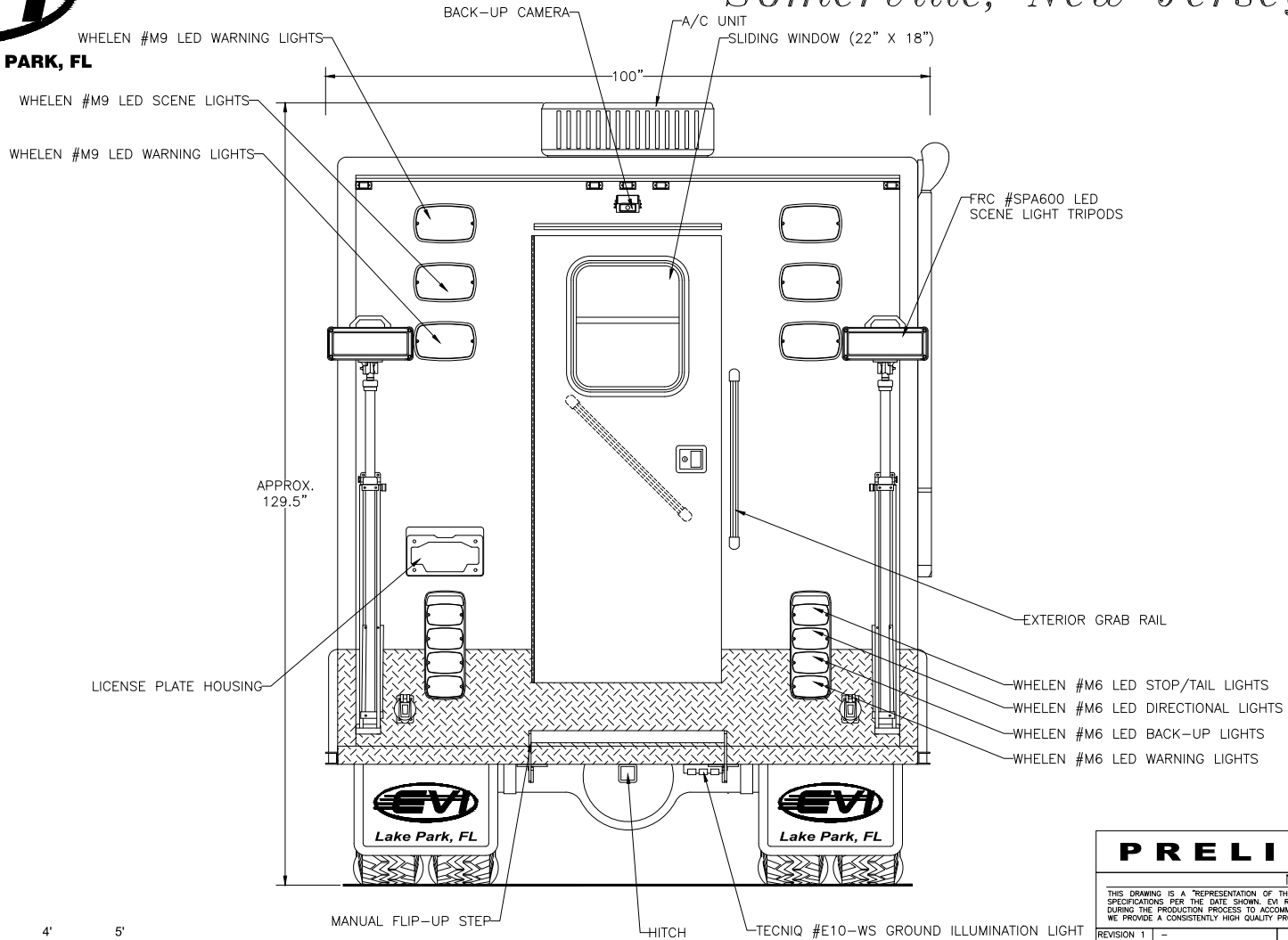
REVISION 1	-	THESE DESIGN/ENGINEERING DRAWING(S) ARE THE PROPERTY OF EMERGENCY VEHICLES, INC. THEY ARE PROPRIETARY, AND ARE FOR THE EXCLUSIVE USE OF YOUR ENTITY. ANY DIVULGING OF THIS DATA TO A THIRD PARTY IS PROHIBITED.
REVISION 2	-	
REVISION 3	-	
REVISION 4	-	
REVISION 5	-	
REVISION 6	-	

DATE: 05/25/22

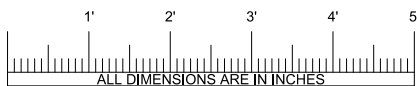


705 13TH STREET, LAKE PARK, FL  
800-848-6652

# Somerset County Prosecutions Office Somerville, New Jersey



Rear View



**PRELIMINARY**

NOTICE

THIS DRAWING IS A REPRESENTATION OF THE VEHICLE AND/OR COMPONENTS AS DESCRIBED IN THE SPECIFICATIONS FOR THE DATE SHOWN. EVI RESERVES THE RIGHT TO MAKE CHANGES, AS NECESSARY, DURING THE PRODUCTION PROCESS TO ACCOMMODATE BEST MANUFACTURING PROCESSES AND TO ENSURE WE PROVIDE A CONSISTENTLY HIGH QUALITY PRODUCT.

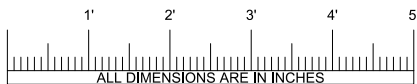
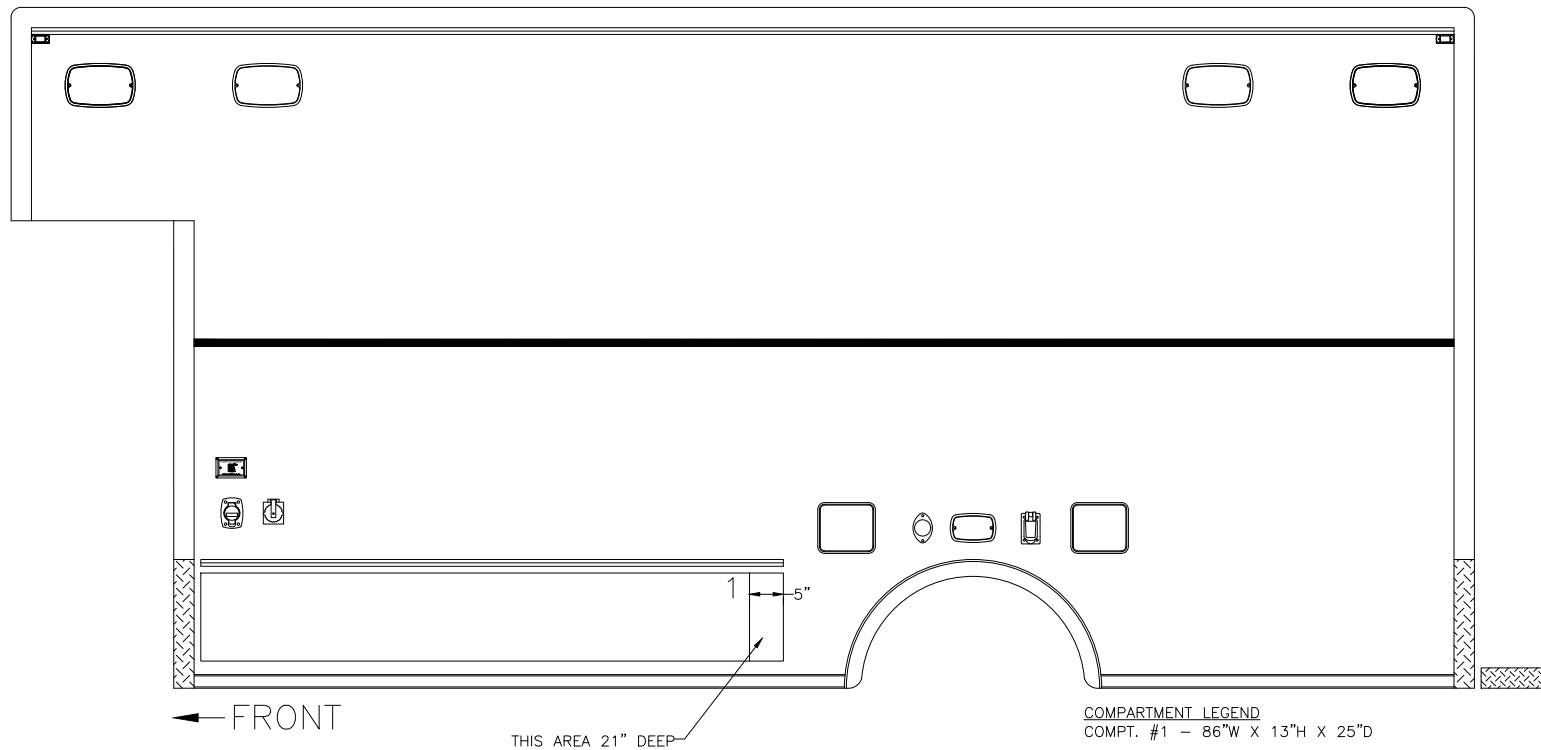
REVISION 1	-	THESE DESIGN/ENGINEERING DRAWING(S) ARE THE PROPERTY OF EMERGENCY VEHICLES, INC. THEY ARE PROPRIETARY, AND ARE FOR THE EXCLUSIVE USE OF YOUR ENTITY. ANY DIVULGING OF THIS DATA TO A THIRD PARTY IS PROHIBITED.
REVISION 2	-	
REVISION 3	-	
REVISION 4	-	
REVISION 5	-	
REVISION 6	-	

DATE: 05/25/22



705 13TH STREET, LAKE PARK, FL  
800-848-6652

*Somerset County Prosecutions Office  
Somerville, New Jersey*



*Streetside Body*

**PRELIMINARY**

NOTICE

THIS DRAWING IS A REPRESENTATION OF THE VEHICLE AND/OR COMPONENTS AS DESCRIBED IN THE SPECIFICATIONS FOR THE DATE SHOWN. EVI RESERVES THE RIGHT TO MAKE CHANGES, AS NECESSARY, DURING THE PRODUCTION PROCESS TO ACCOMMODATE BEST MANUFACTURING PROCESSES AND TO ENSURE WE PROVIDE A CONSISTENTLY HIGH QUALITY PRODUCT.

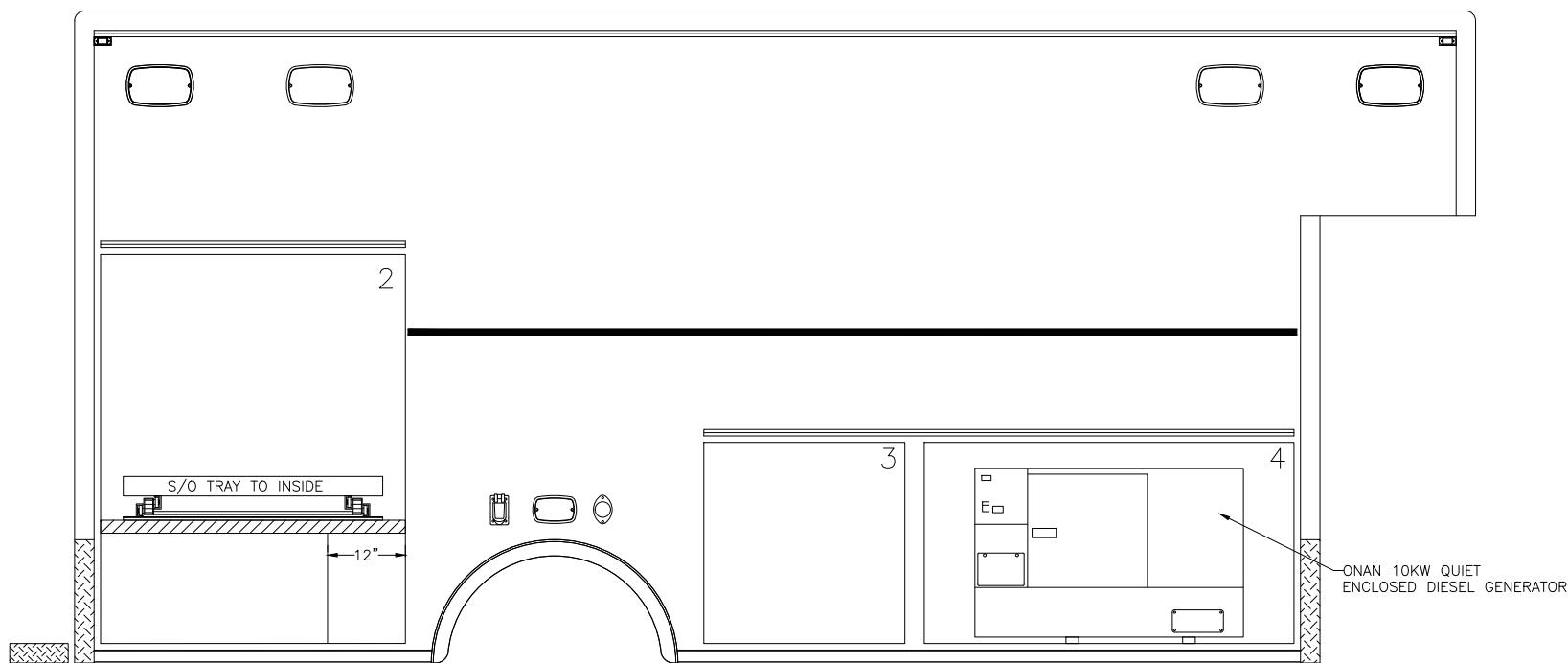
REVISION 1	-	THESE DESIGN/ENGINEERING DRAWING(S) ARE THE PROPERTY OF EMERGENCY VEHICLES, INC. THEY ARE PROPRIETARY, AND ARE FOR THE EXCLUSIVE USE OF YOUR ENTITY. ANY DIVULGING OF THIS DATA TO A THIRD PARTY IS PROHIBITED.
REVISION 2	-	
REVISION 3	-	
REVISION 4	-	
REVISION 5	-	
REVISION 6	-	

DATE: 05/25/22



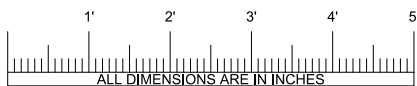
705 13TH STREET, LAKE PARK, FL  
800-848-6652

Somerset County Prosecutions Office  
Somerville, New Jersey



COMPARTMENT LEGEND

- COMPT. #2 - 47"W X 60"H X 25"D
- COMPT. #3 - 31"W X 31"H X 25"D
- COMPT. #4 - 57"W X 31"H X 25"D



*Curbside Body*

**PRELIMINARY**

NOTICE

THIS DRAWING IS A REPRESENTATION OF THE VEHICLE AND/OR COMPONENTS AS DESCRIBED IN THE SPECIFICATIONS FOR THE DATE SHOWN. EVI RESERVES THE RIGHT TO MAKE CHANGES, AS NECESSARY, DURING THE PRODUCTION PROCESS TO ACCOMMODATE BEST MANUFACTURING PROCESSES AND TO ENSURE WE PROVIDE A CONSISTENTLY HIGH QUALITY PRODUCT.

REVISION 1	-	THESE DESIGN/ENGINEERING DRAWING(S) ARE THE PROPERTY OF EMERGENCY VEHICLES, INC. THEY ARE PROPRIETARY, AND ARE FOR THE EXCLUSIVE USE-OF-YOUR ENTITY. ANY DIVULGING OF THIS DATA TO A THIRD PARTY IS PROHIBITED.
REVISION 2	-	
REVISION 3	-	
REVISION 4	-	
REVISION 5	-	
REVISION 6	-	

DATE: 05/25/22



705 13TH STREET, LAKE PARK, FL  
800-848-6652

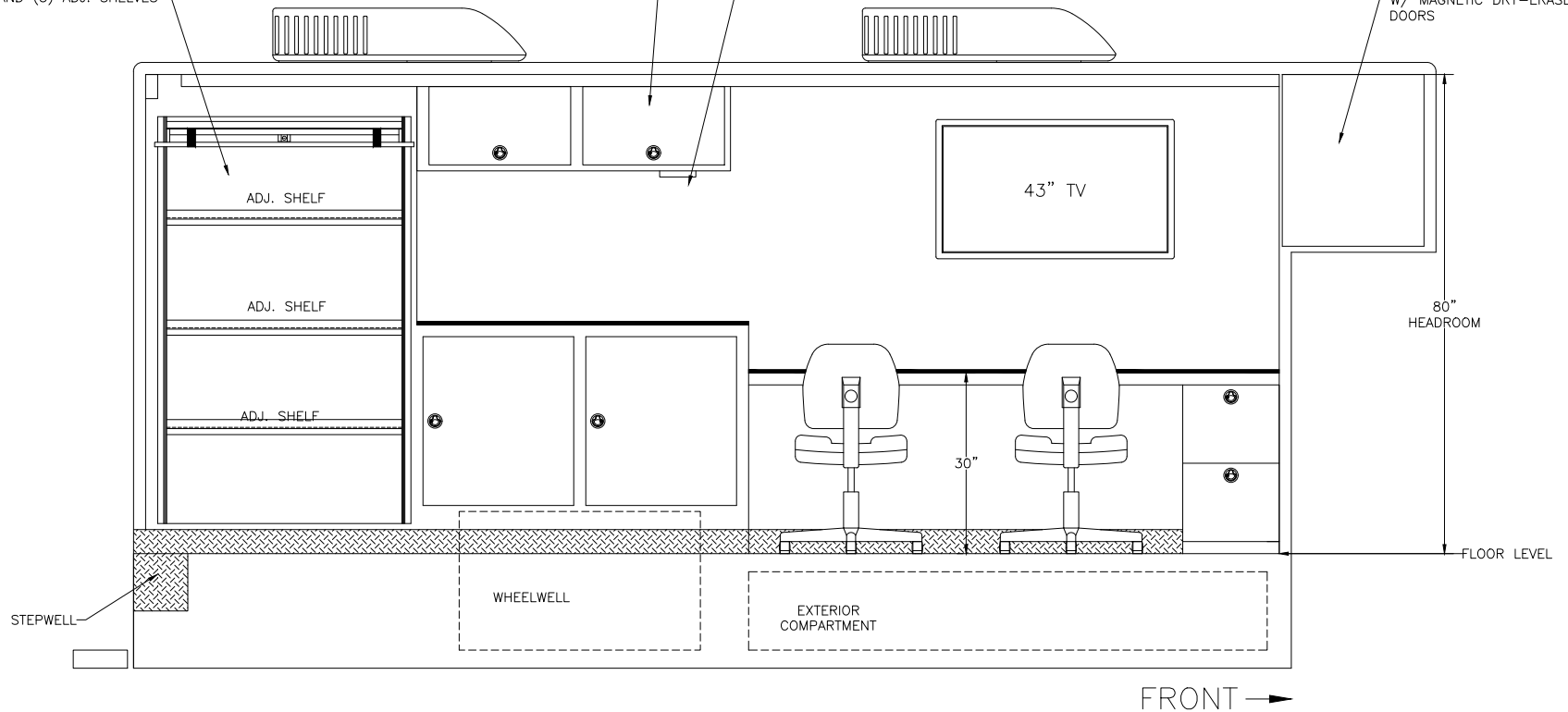
STORAGE CLOSET WITH ROLL-UP DOOR  
AND (3) ADJ. SHELVES

# Somerset County Prosecutions Office Somerville, New Jersey

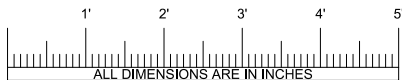
(2) OVERHEAD STORAGE  
CABINET W/ MAGNETIC  
DRY-ERASE DOORS

OVERHEAD LED LIGHT

(2) OVERHEAD STORAGE  
CABINET  
W/ MAGNETIC DRY-ERASE  
DOORS



FRONT →



*Streetside Interior*

## PRELIMINARY

### NOTICE

THIS DRAWING IS A REPRESENTATION OF THE VEHICLE AND/OR COMPONENTS AS DESCRIBED IN THE SPECIFICATIONS FOR THE DATE SHOWN. EVI RESERVES THE RIGHT TO MAKE CHANGES, AS NECESSARY, DURING THE PRODUCTION PROCESS TO ACCOMMODATE BEST MANUFACTURING PROCESSES AND TO ENSURE WE PROVIDE A CONSISTENTLY HIGH QUALITY PRODUCT.

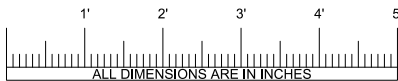
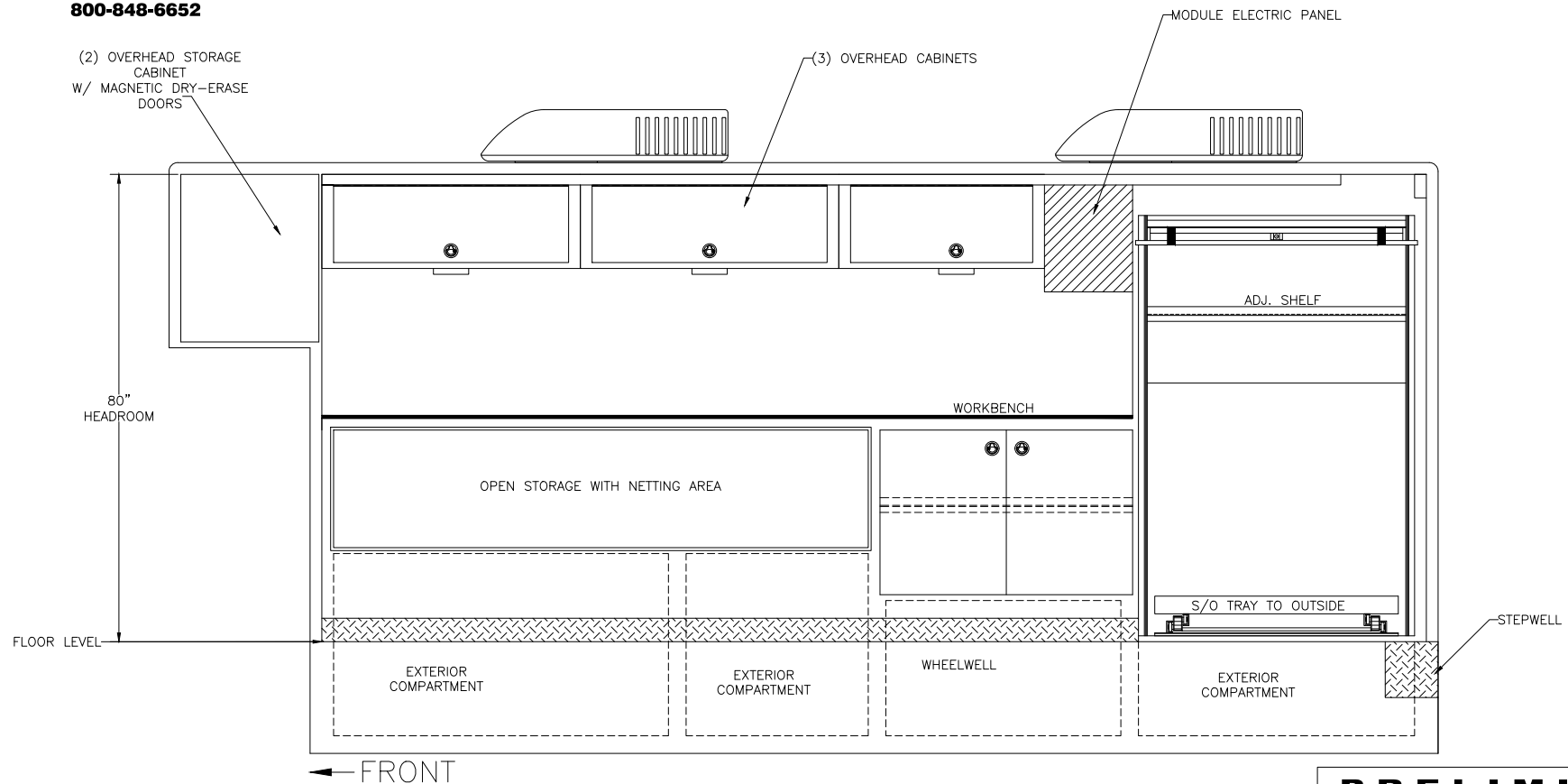
REVISION 1	-	THESE DESIGN/ENGINEERING DRAWING(S) ARE THE PROPERTY OF EMERGENCY VEHICLES, INC. THEY ARE PROPRIETARY, AND ARE FOR THE EXCLUSIVE USE OF YOUR ENTITY. ANY DIVULGING OF THIS DATA TO A THIRD PARTY IS PROHIBITED.
REVISION 2	-	
REVISION 3	-	
REVISION 4	-	
REVISION 5	-	
REVISION 6	-	

DATE: 05/25/22



705 13TH STREET, LAKE PARK, FL  
800-848-6652

# Somerset County Prosecutions Office Somerville, New Jersey



## Curbside Interior

### PRELIMINARY

#### NOTICE

THIS DRAWING IS A REPRESENTATION OF THE VEHICLE AND/OR COMPONENTS AS DESCRIBED IN THE SPECIFICATIONS FOR THE DATE SHOWN. EVI RESERVES THE RIGHT TO MAKE CHANGES, AS NECESSARY, DURING THE PRODUCTION PROCESS TO ACCOMMODATE BEST MANUFACTURING PROCESSES AND TO ENSURE WE PROVIDE A CONSISTENTLY HIGH QUALITY PRODUCT.

REVISION 1	-	THESE DESIGN/ENGINEERING DRAWING(S) ARE THE PROPERTY OF EMERGENCY VEHICLES, INC. THEY ARE PROPRIETARY, AND ARE FOR THE EXCLUSIVE USE OF YOUR ENTITY. ANY DIVULGING OF THIS DATA TO A THIRD PARTY IS PROHIBITED.
REVISION 2	-	
REVISION 3	-	
REVISION 4	-	
REVISION 5	-	
REVISION 6	-	

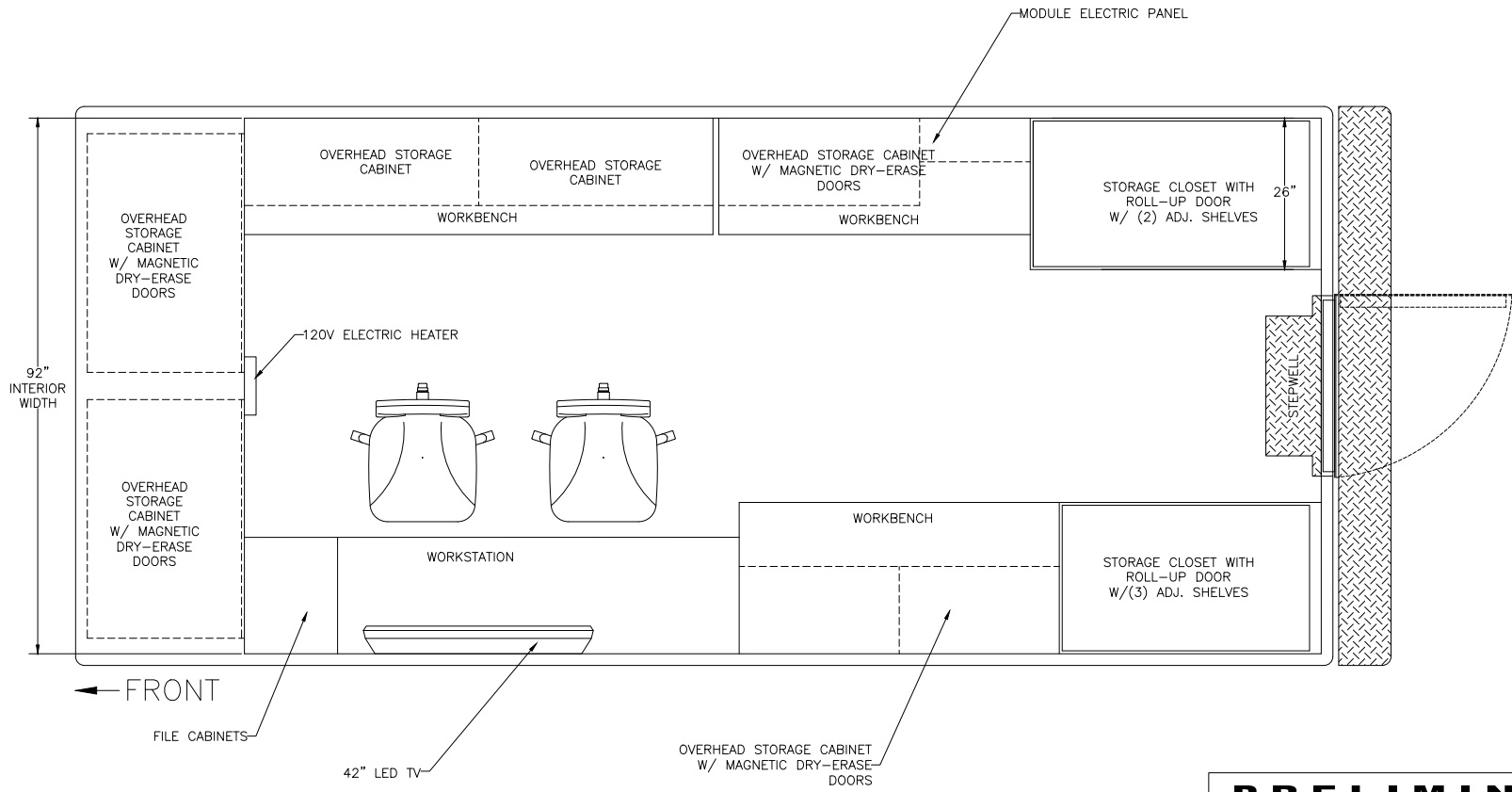
DATE: 05/25/22





705 13TH STREET, LAKE PARK, FL  
800-848-6652

# Somerset County Prosecutions Office Somerville, New Jersey



Body Planview

## PRELIMINARY

NOTICE  
THIS DRAWING IS A REPRESENTATION OF THE VEHICLE AND/OR COMPONENTS AS DESCRIBED IN THE SPECIFICATIONS FOR THE DATE SHOWN. EVI RESERVES THE RIGHT TO MAKE CHANGES, AS NECESSARY, DURING THE PRODUCTION PROCESS TO ACCOMMODATE BEST MANUFACTURING PROCESSES AND TO ENSURE WE PROVIDE A CONSISTENTLY HIGH QUALITY PRODUCT.

REVISION 1	-	THESE DESIGN/ENGINEERING DRAWING(S) ARE THE PROPERTY OF EMERGENCY VEHICLES, INC. THEY ARE PROPRIETARY, AND ARE FOR THE EXCLUSIVE USE OF YOUR ENTITY. ANY DIVULGING OF THIS DATA TO A THIRD PARTY IS PROHIBITED.
REVISION 2	-	
REVISION 3	-	
REVISION 4	-	
REVISION 5	-	
REVISION 6	-	

DATE: 05/25/22