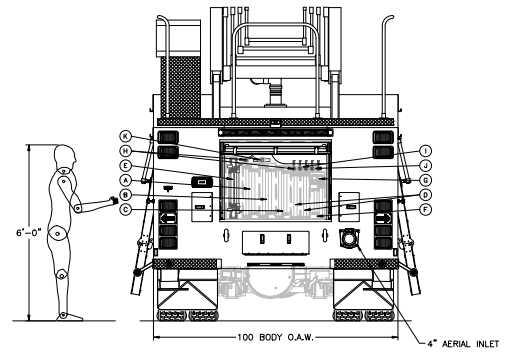
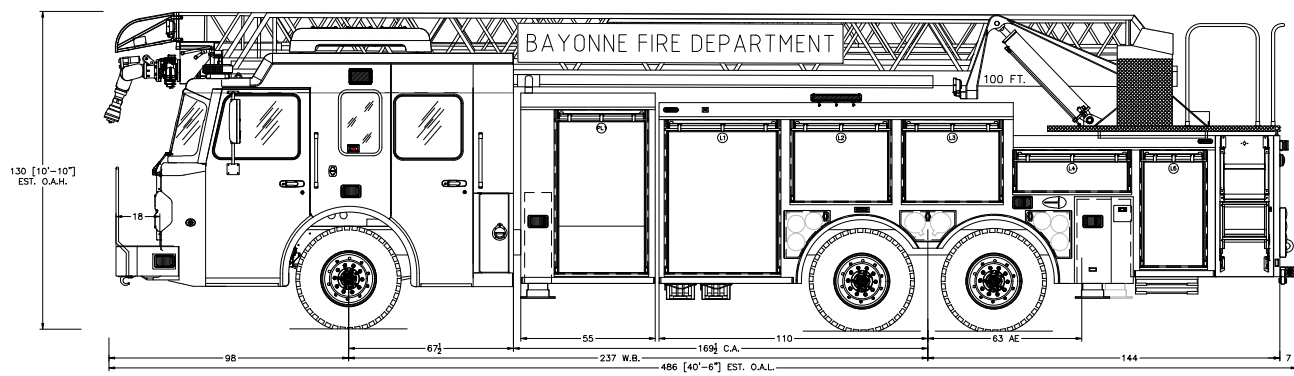


| COMP. | DOOR OPENING | INTERIOR | DIVIDE HEIGHT | WALK DEPTH | WALK |
|-------|---------------|--------------------|---------------|------------|------|
| L1 | 44" W x 27" H | 48.0" W x 66.5" H | --- | 23" | 23" |
| L2 | 38" W x 28" H | 45.0" W x 40" H | --- | 23" | 23" |
| L3 | 38" W x 28" H | 50" W x 40" H | --- | 23" | 23" |
| L4 | 43" W x 11" H | 48" W x 22.5" H | --- | 23" | 23" |
| L5 | 24" W x 42" H | 34.5" W x 53.25" H | --- | 23" | 23" |
| R1 | 44" W x 27" H | 48.0" W x 66.5" H | --- | 23" | 23" |
| R2 | 38" W x 28" H | 45.0" W x 40" H | --- | 23" | 23" |
| R3 | 38" W x 28" H | 50" W x 40" H | --- | 23" | 23" |
| R4 | 43" W x 11" H | 48" W x 22.5" H | --- | 23" | 23" |
| RD | 24" W x 42" H | 34.5" W x 53.25" H | 30" | 14" | 23" |
| PL1 | 35" W x 61" H | 41" W x 73.5" H | 19" | TRANS | 23" |
| PR1 | 35" W x 61" H | 41" W x 73.5" H | 19" | TRANS | 23" |

| ITEM | DESCRIPTION | MODEL # | QTY |
|------|---------------------|-----------|-----|
| A | 33' 2 SEC EXTENSION | PEL-35 | 1 |
| B | 28' 2 SEC EXTENSION | PEL-28 | 1 |
| C | 24' 2 SEC EXTENSION | PEL-24 | 1 |
| D | 16' ROOF | PEL-16 | 2 |
| E* | 17" LITTLE GRANT | 15187-882 | 1 |
| F | 14" FRESH ATIC | HEL-14 | 1 |
| G | 10" FOLDING ATIC | FL-10 | 1 |
| H | 6" PIKE POLE | NHF-6 | 2 |
| I | 8" PIKE POLE | NHF-8 | 2 |
| J | 12" PIKE POLE | NHF-12 | 2 |
| K | 8" X6" ROOF HOOK | RH-8 | 1 |

*STORED UNFOLDED



NOTE:
 THIS DRAWING IS THE PROPERTY OF SPARTAN FIRE, LLC AND IS TO BE USED ONLY IN REFERENCE TO THE WORK PROPOSED OR CONTRACTED BY SPARTAN FIRE, LLC. ANY REPRODUCTION IN PART OR IN WHOLE WITHOUT THE WRITTEN PERMISSION OF SPARTAN FIRE, LLC IS STRICTLY PROHIBITED.
 DIMENSIONS SHOWN ARE APPROXIMATE AND ARE SUBJECT TO CHANGE AS MAY BE FOUND NECESSARY DURING CONSTRUCTION. THIS DRAWING MUST BE PLOTTED TO THE PAPER SIZE LISTED IN THE TITLE BLOCK FOR THE LISTED SCALE TO BE VALID.
 THIS DRAWING IS FOR REFERENCE PURPOSES ONLY. SOME ITEMS MAY OR MAY NOT APPEAR ON THE DRAWING THAT MAY OR MAY NOT BE INCLUDED IN THE SPECIFICATIONS. THE SPECIFICATIONS SHALL BE THE FINAL AUTHORITY TO DETERMINE WHAT IS SUPPLIED ON THE APPARATUS.

| REV. | NO. | DATE | REVISION HISTORY |
|------|-----|---------|--|
| 01 | CL | 5/31/23 | ORIGINAL LAYOUT CLONED FROM 5174-75 & 22873-01 |

**PROPOSAL
 WORK IN PROGRESS**

CHASSIS: SPARTAN GLADIATOR LFD 10" RAISED ROOF WITH 16" TRENCH
 & DROPP CAB
 ENGINE: CUMMINS X12 500HP WITH ALLISON 4000 EVS
 PUMP: N/A
 WATER TANK: N/A
 BODY MATERIAL: 1/8" ALUMINUM
 HOSE BED: N/A
 GENERATOR: HARRISON 6kW MCR
 COMPARTMENTS: 369 CUBIC FEET



BAYONNE FIRE DEPARTMENT
 BAYONNE, NJ
 MODEL: UT 100' REAR MOUNT AERIAL (S24RL-100)
 SEALER/PR: CAMPBELL SUPPLY CO.
 SCALE: 1/2" = 1' DRAWN BY: CL [RFD] 5/31/23
 SIZE: 24" X 36" DRAWING NO.: 23398
 SHEETS: 1 OF 1 REC: 01