

WARD APPARATUS

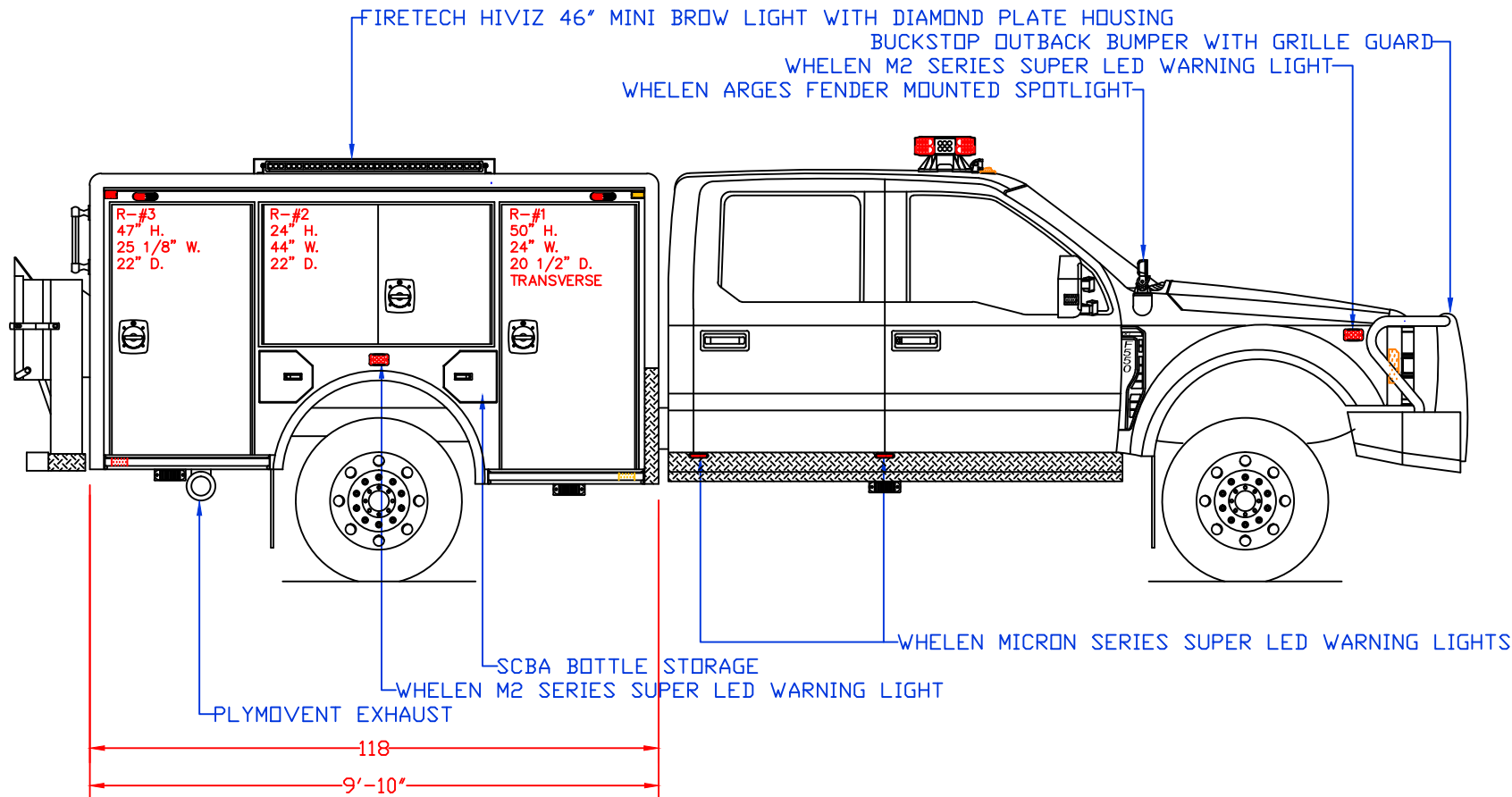
1250 SCHWEIZER ROAD PHONE (607) 796-0149
HORSEHEADS, NY 14845 FAX (607) 739-7092

CUSTOMER APPROVED BY:

VEHICLE TYPE: RESCUE	CHASSIS: FORD F-550 CREW CAB 4X4
VIEW: STREETSIDE	BODY MAT'L: ALUMINUM
SCALE: NTS	BODY LENGTH: 118"
DRAWN BY: NRW	APPROVED BY:
DATE: 9/10/2024	BODY STYLE:
DWG NO.: MAHWAHS1	REVISION:

MAHWAH RS1 10' RESCUE

NOTE: ALL DIMENSIONS ARE APPROXIMATE



WARD APPARATUS

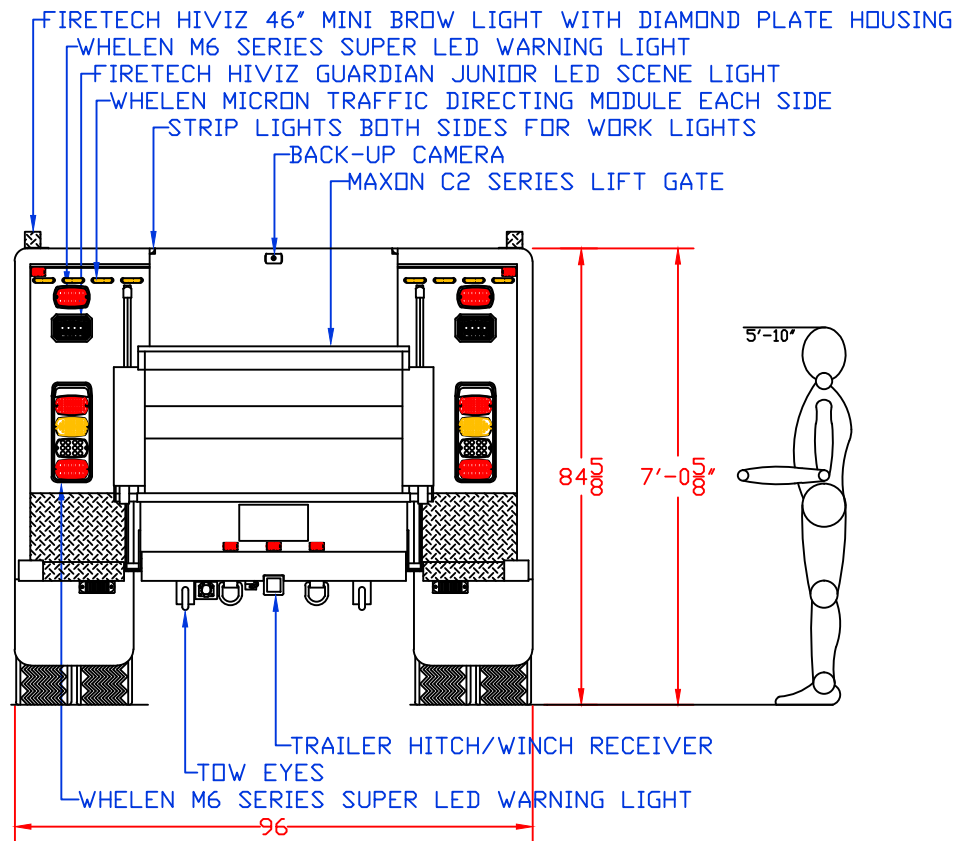
1250 SCHWEIZER ROAD PHONE (607) 796-0149
 HORSEHEADS, NY 14845 FAX (607) 739-7092

MAHWAH RS1 10' RESCUE

CUSTOMER APPROVED BY:

VEHICLE TYPE: RESCUE	CHASSIS: FORD F-550 CREW CAB 4X4
VIEW: CURBSIDE	BODY MAT'L: ALUMINUM
SCALE: NTS	BODY LENGTH: 118"
DRAWN BY: NRW	APPROVED BY:
DATE: 9/10/2024	BODY STYLE:
DWG NO.: MAHWAHRS1	REVISION:

NOTE: ALL DIMENSIONS ARE APPROXIMATE



WARD APPARATUS

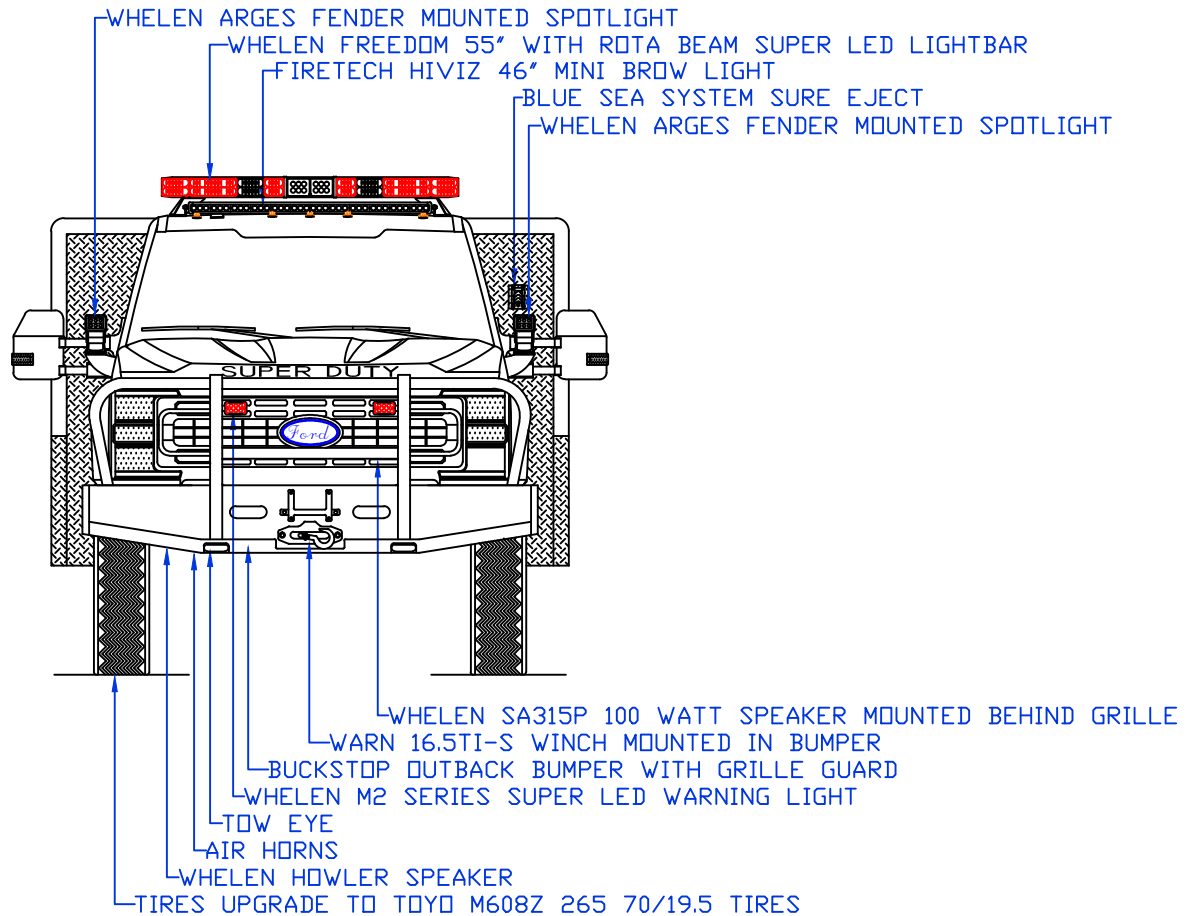
1250 SCHWEIZER ROAD PHONE (607) 796-0149
 HORSEHEADS, NY 14845 FAX (607) 739-7092

MAHWAH RS1 10' RESCUE

CUSTOMER APPROVED BY:

VEHICLE TYPE: RESCUE	CHASSIS: FORD F-550 CREW CAB 4X4
VIEW: REAR	BODY MAT'L: ALUMINUM
SCALE: NTS	BODY LENGTH: 118"
DRAWN BY: NRW	APPROVED BY:
DATE: 9/10/2024	BODY STYLE:
DWG NO.: MAWAHRS1	REVISION:

NOTE: ALL DIMENSIONS ARE APPROXIMATE



WARD APPARATUS

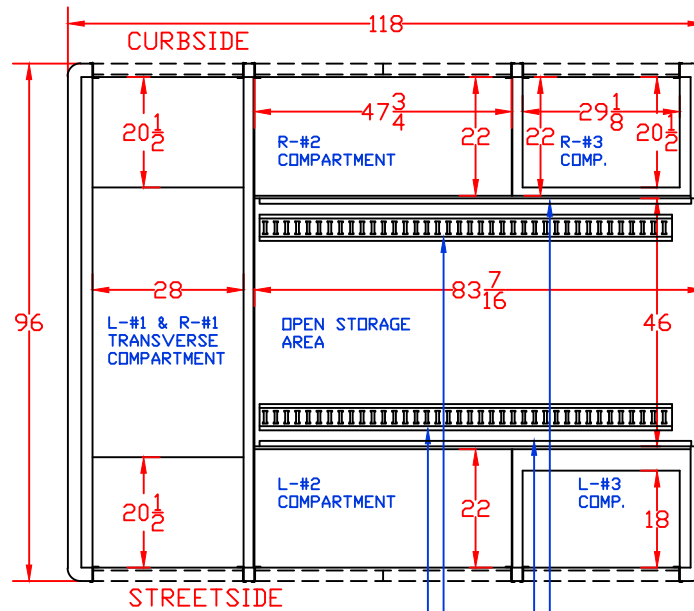
1250 SCHWEIZER ROAD PHONE (607) 796-0149
 HORSEHEADS, NY 14845 FAX (607) 739-7092

CUSTOMER APPROVED BY:

VEHICLE TYPE: RESCUE	CHASSIS: FORD F-550 CREW CAB 4X4
VIEW: FRONT	BODY MAT'L: ALUMINUM
SCALE: NTS	BODY LENGTH: 118"
DRAWN BY: NRW	APPROVED BY:
DATE: 9/10/2024	BODY STYLE:
DWG NO.: MAWAHRS1	REVISION:

MAHWAH RS1 10' RESCUE

NOTE: ALL DIMENSIONS ARE APPROXIMATE



E-TRACK TIE DOWNS
 STRIP LIGHT ON TOP WALL FOR WORK LIGHTS



WARD APPARATUS

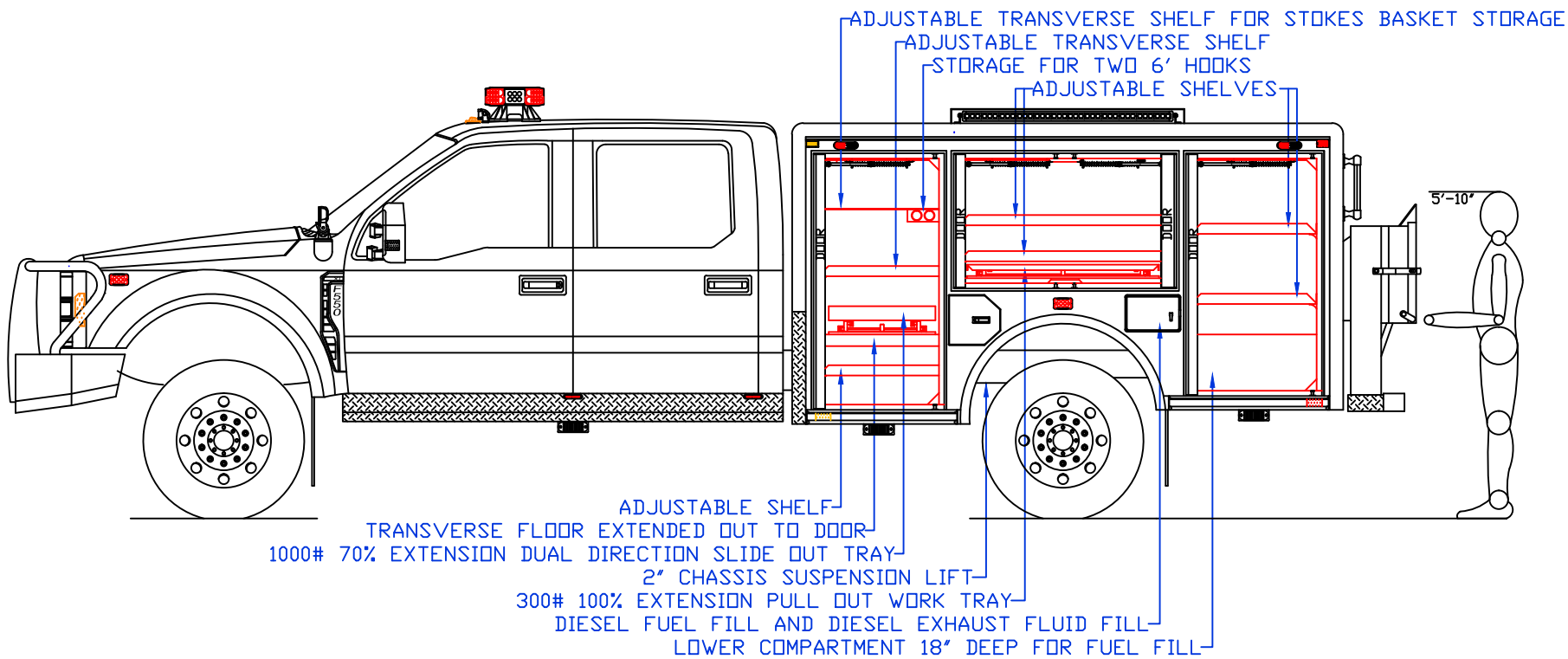
1250 SCHWEIZER ROAD PHONE (607) 796-0149
 HORSEHEADS, NY 14845 FAX (607) 739-7092

MAHWAH RS1 10' RESCUE

CUSTOMER APPROVED BY:

VEHICLE TYPE: RESCUE	CHASSIS: FORD F-550 CREW CAB 4X4
VIEW: TOP	BODY MAT'L: ALUMINUM
SCALE: NTS	BODY LENGTH: 118"
DRAWN BY: NRW	APPROVED BY:
DATE: 9/10/2024	BODY STYLE:
DWG NO.: MAWAHRS1	REVISION:

NOTE: ALL DIMENSIONS ARE APPROXIMATE



WARD APPARATUS

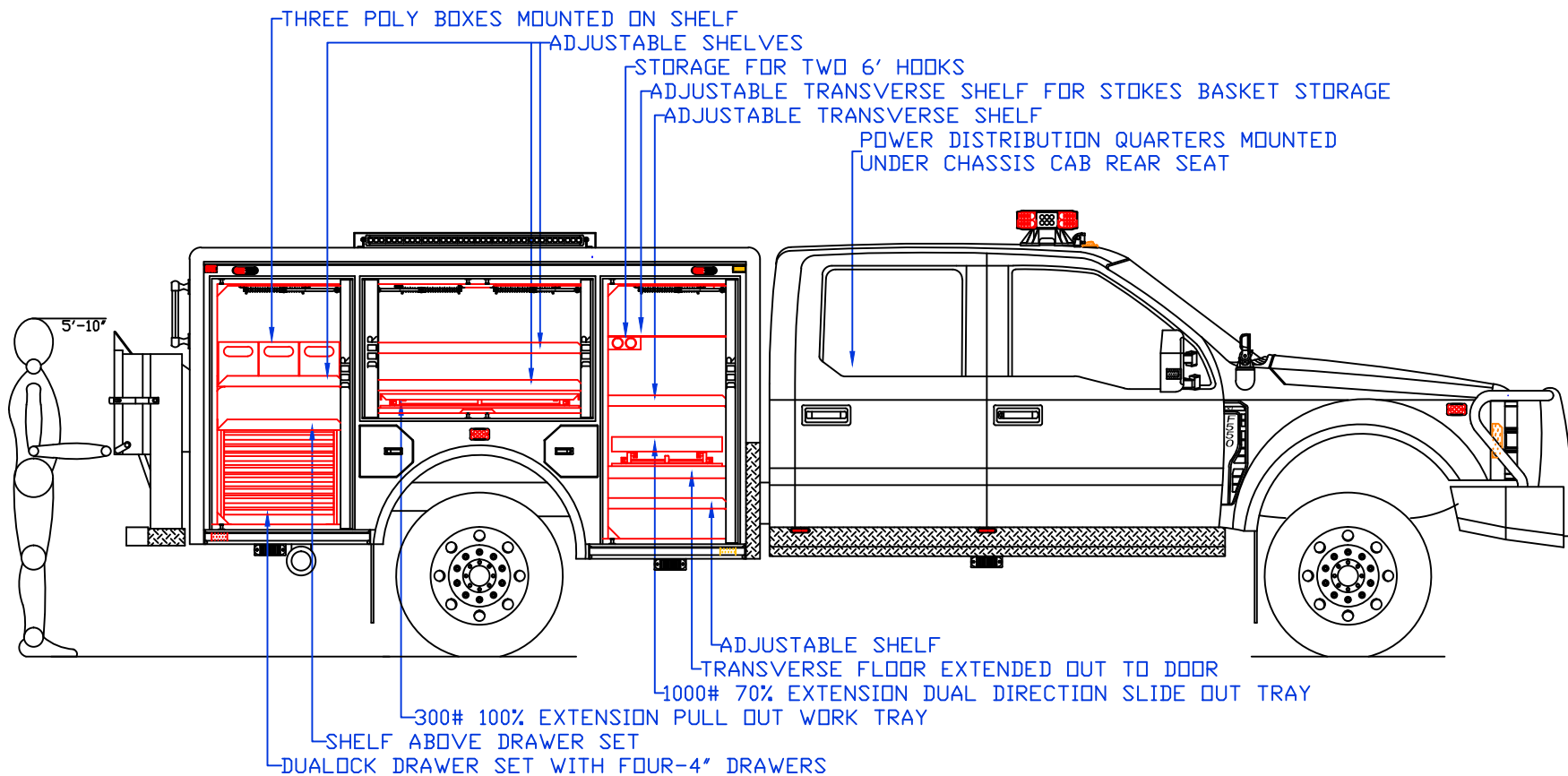
1250 SCHWEIZER ROAD PHONE (607) 796-0149
 HORSEHEADS, NY 14845 FAX (607) 739-7092

CUSTOMER APPROVED BY:

VEHICLE TYPE: RESCUE	CHASSIS: FORD F-550 CREW CAB 4X4
VIEW: STREETSIDE COMPARTMENT LAYOUT	BODY MAT'L: ALUMINUM
SCALE: NTS	BODY LENGTH: 118"
DRAWN BY: NRW	APPROVED BY:
DATE: 9/10/2024	BODY STYLE:
DWG NO.: MAWAHR51	REVISION:

MAHWAH RS1 10' RESCUE

NOTE: ALL DIMENSIONS ARE APPROXIMATE



WARD APPARATUS

1250 SCHWEIZER ROAD PHONE (607) 796-0149
 HORSEHEADS, NY 14845 FAX (607) 739-7092

MAHWAH RS1 10' RESCUE

CUSTOMER APPROVED BY:

VEHICLE TYPE: RESCUE	CHASSIS: FORD F-550 CREW CAB 4X4
VIEW: CURBSIDE COMPARTMENT LAYOUT	BODY MAT'L: ALUMINUM
SCALE: NTS	BODY LENGTH: 118"
DRAWN BY: NRW	APPROVED BY:
DATE: 9/10/2024	BODY STYLE:
DWG NO.: MAWAHRS1	REVISION:

NOTE: ALL DIMENSIONS ARE APPROXIMATE