

WARD APPARATUS

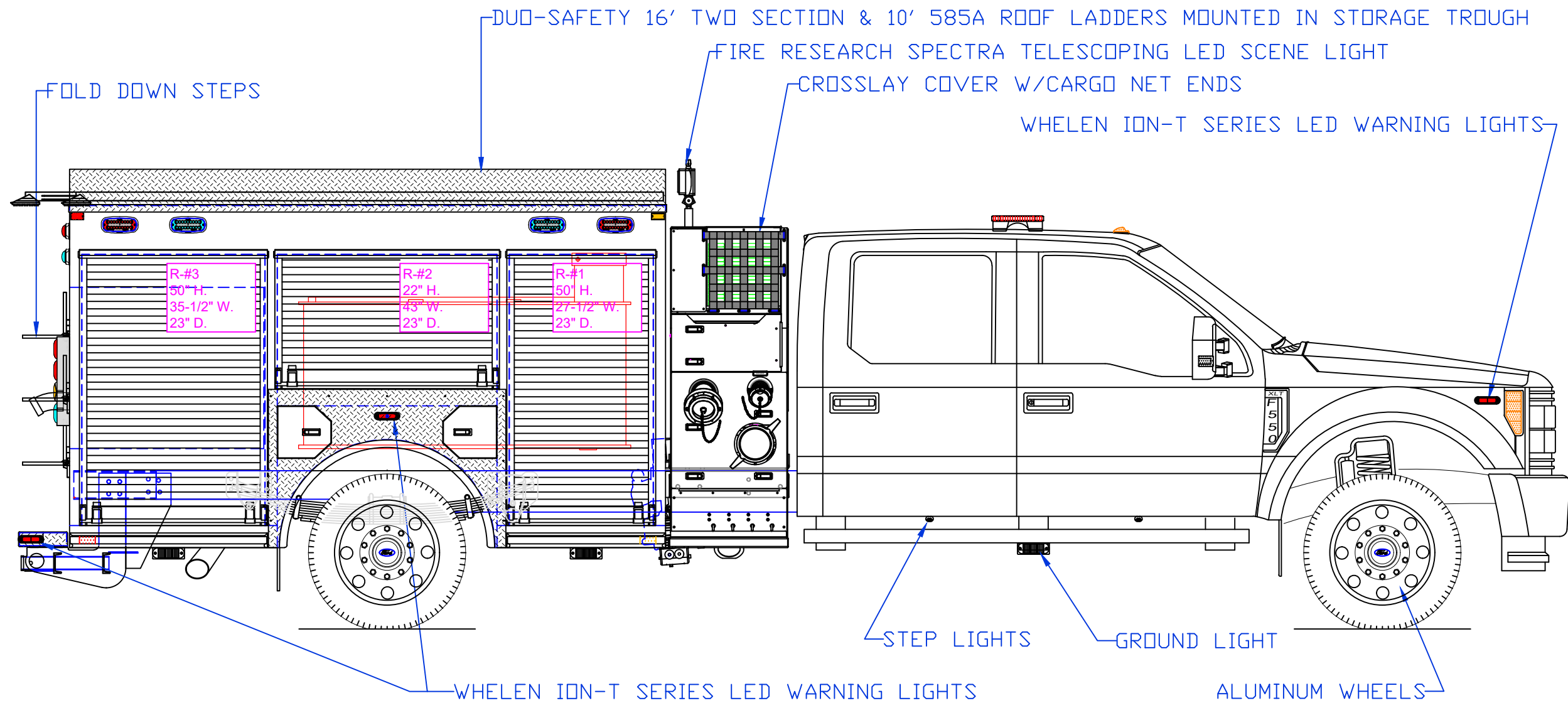
1250 SCHWEIZER ROAD PHONE (607) 796-0149
 HORSEHEADS, NY 14845 FAX (607) 739-7092

CUSTOMER APPROVED BY:

VEHICLE TYPE: ATP 1500 SERIES	CHASSIS: FORD F-550 4DR CREW CAB 4X4
VIEW: DRIVER'S SIDE EXTERIOR	BODY MAT'L: ALUMINUM
SCALE: NTS	BODY LENGTH: 122"
DRAWN BY: DS	APPROVED BY:
DATE: 01-31-2023	BODY STYLE:
DWG NO.: CBS_MINIPUMPER	REVISION: A_03-15-2023

CAMPBELL SUPPLY_MINI PUMPER DEMO

NOTE: ALL DIMENSIONS ARE APPROXIMATE

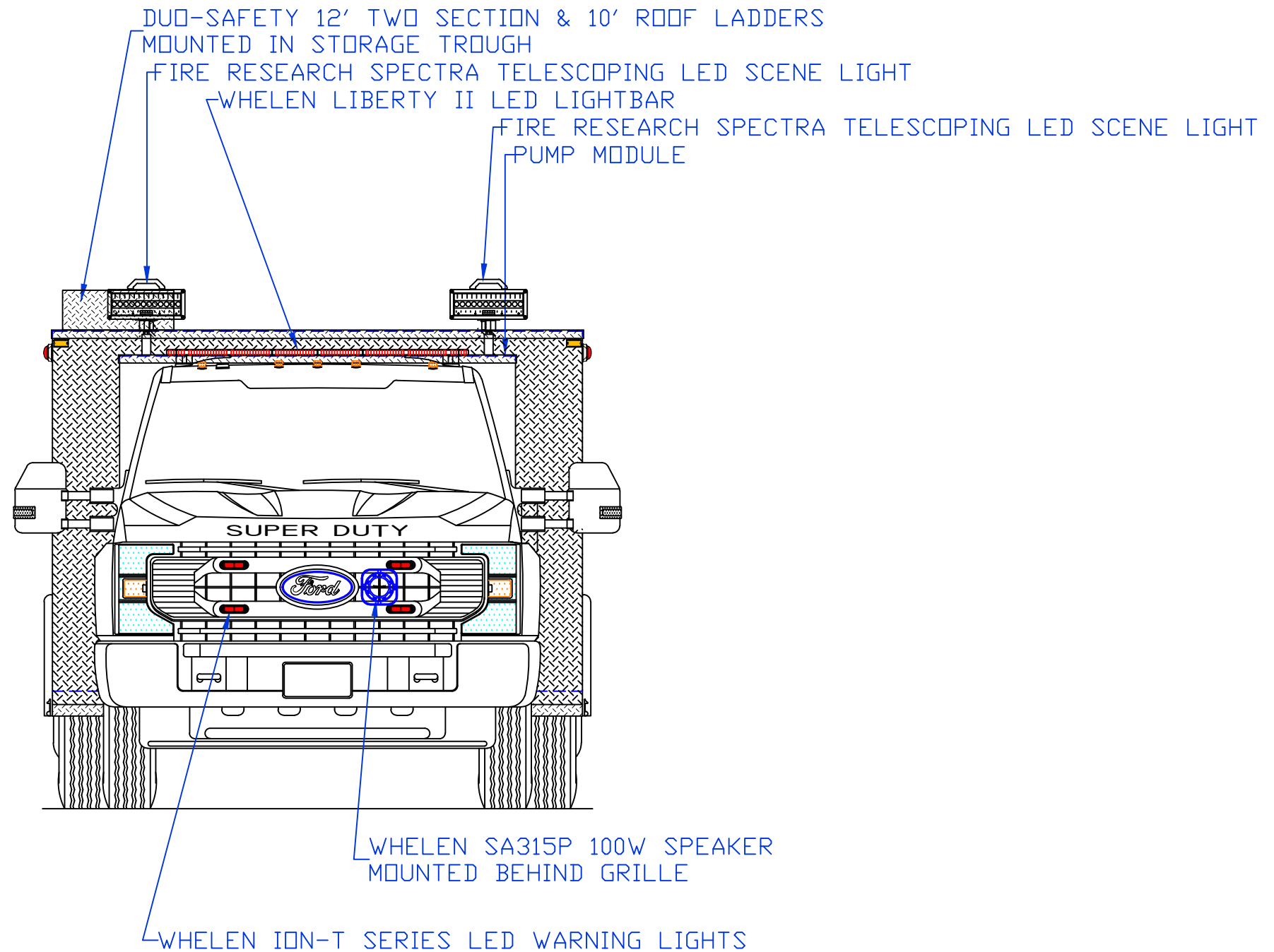


WARD APPARATUS
 1250 SCHWEIZER ROAD PHONE (607) 796-0149
 HORSEHEADS, NY 14845 FAX (607) 739-7092

CUSTOMER APPROVED BY:	
VEHICLE TYPE: ATP 1500 SERIES	CHASSIS: FORD F-550 4 DR CREW CAB 4X4
VIEW: OFFICER'S EXTERIOR	BODY MAT'L: ALUMINUM
SCALE: NTS	BODY LENGTH: 122"
DRAWN BY: DS	APPROVED BY:
DATE: 01-31-2023	BODY STYLE:
DWG NO.: CBS_MINIPUMPER	REVISION: A_03-15-2023

CAMPBELL SUPPLY_MINI PUMPER DEMO

NOTE: ALL DIMENSIONS ARE APPROXIMATE



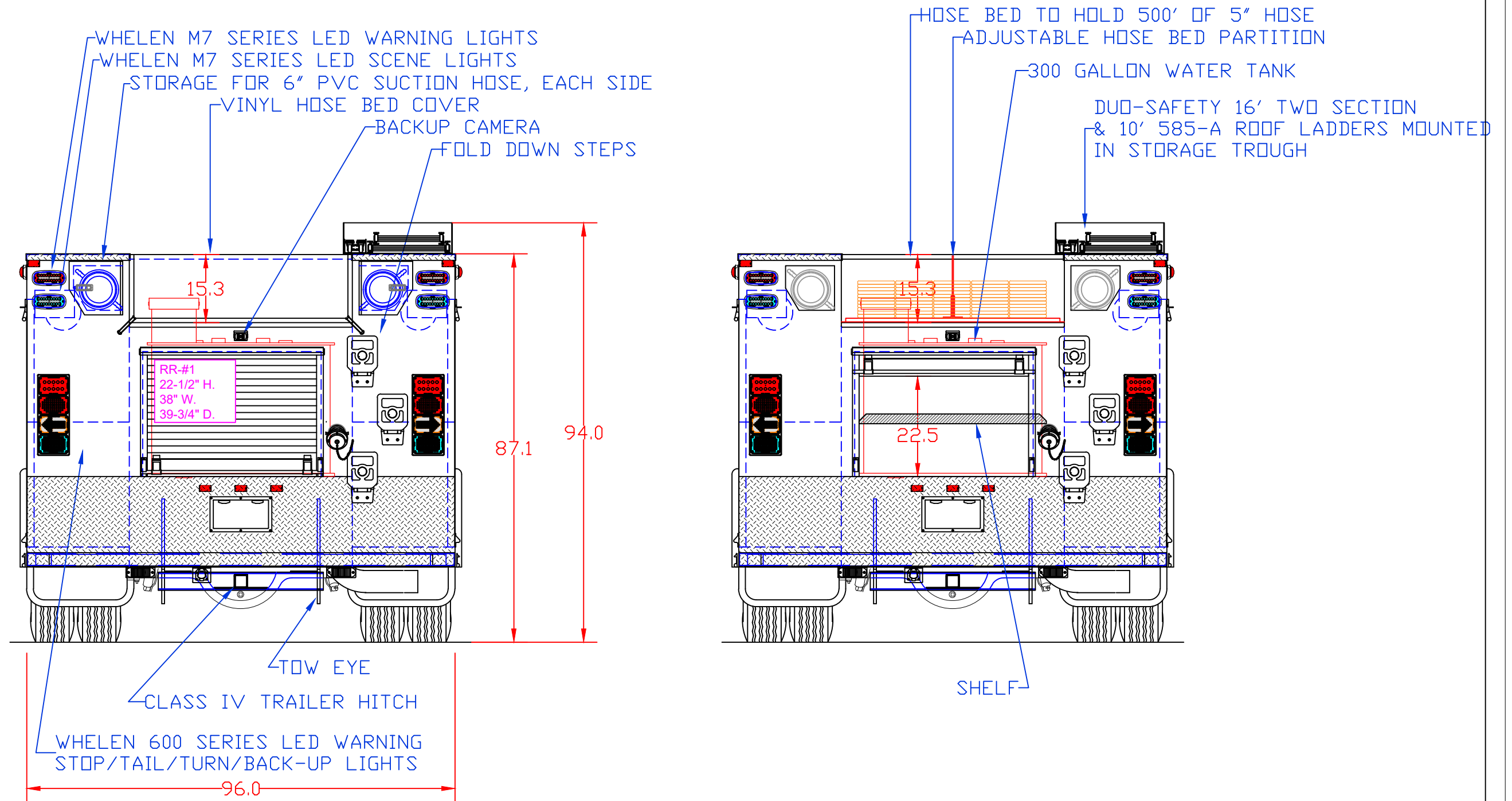
WARD APPARATUS
 1250 SCHWEIZER ROAD PHONE (607) 796-0149
 HORSEHEADS, NY 14845 FAX (607) 739-7092

CUSTOMER APPROVED BY:

VEHICLE TYPE: ATP 1500 SERIES	CHASSIS: FORD F-550 4 DR CREW CAB 4X4
VIEW: FRONT VIEW	BODY MAT'L: ALUMINUM
SCALE: NTS	BODY LENGTH: 122"
DRAWN BY: DS	APPROVED BY:
DATE: 01-31-2023	BODY STYLE:
DWG NO.: CBS_MINIPUMPER	REVISION: A_03-15-2023

CAMPBELL SUPPLY_MINI PUMPER DEMO

NOTE: ALL DIMENSIONS ARE APPROXIMATE



WARD APPARATUS

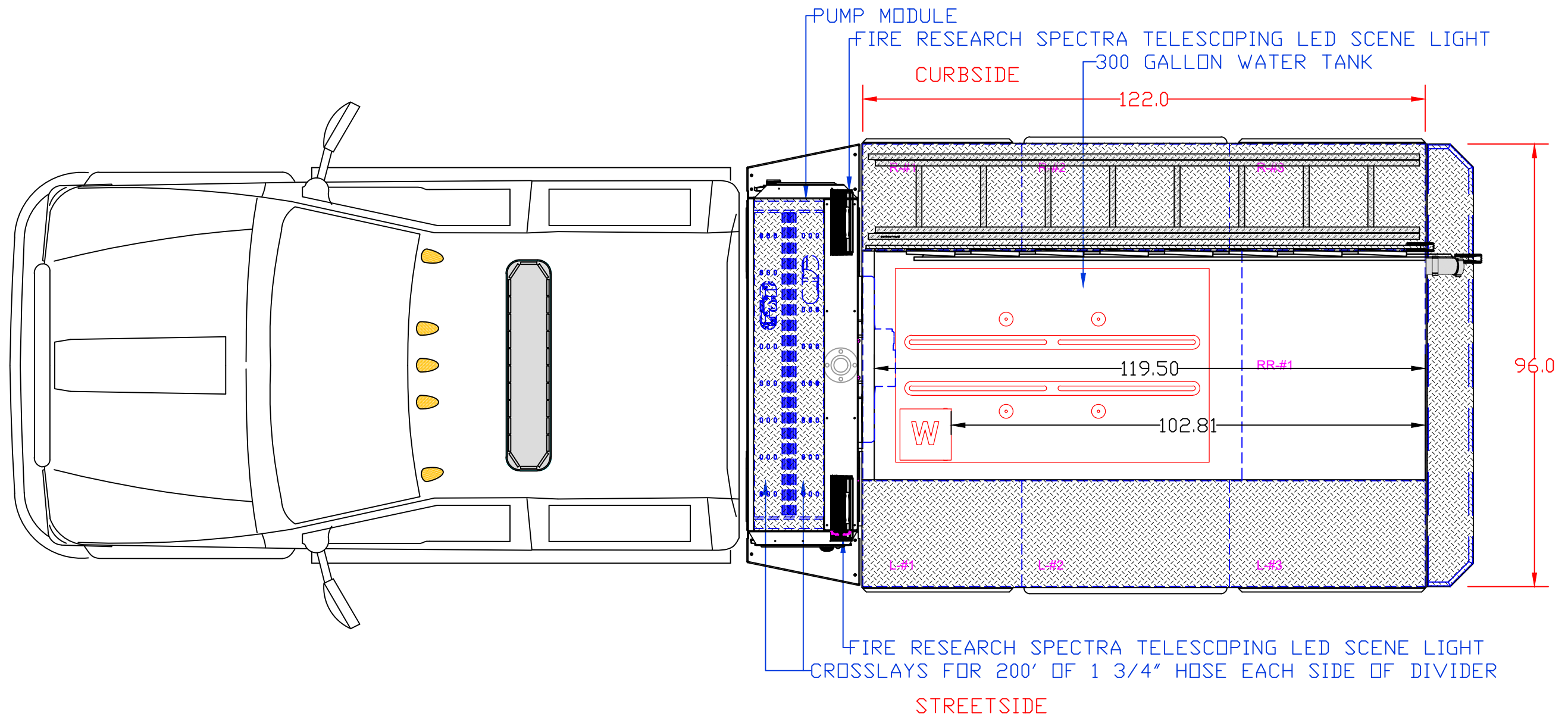
1250 SCHWEIZER ROAD PHONE (607) 796-0149
 HORSEHEADS, NY 14845 FAX (607) 739-7092

CUSTOMER APPROVED BY:

VEHICLE TYPE: ATP 1500 SERIES	CHASSIS: FORD F-550 4 DR CREW CAB 4X4
VIEW: REAR VIEW(S)	BODY MAT'L: ALUMINUM
SCALE: NTS	BODY LENGTH: 122"
DRAWN BY: DS	APPROVED BY:
DATE: 01-31-2023	BODY STYLE:
DWG NO.: CBS_MINIPUMPER	REVISION: A_03-15-2023

CAMPBELL SUPPLY_MINI PUMPER DEMO

NOTE: ALL DIMENSIONS ARE APPROXIMATE

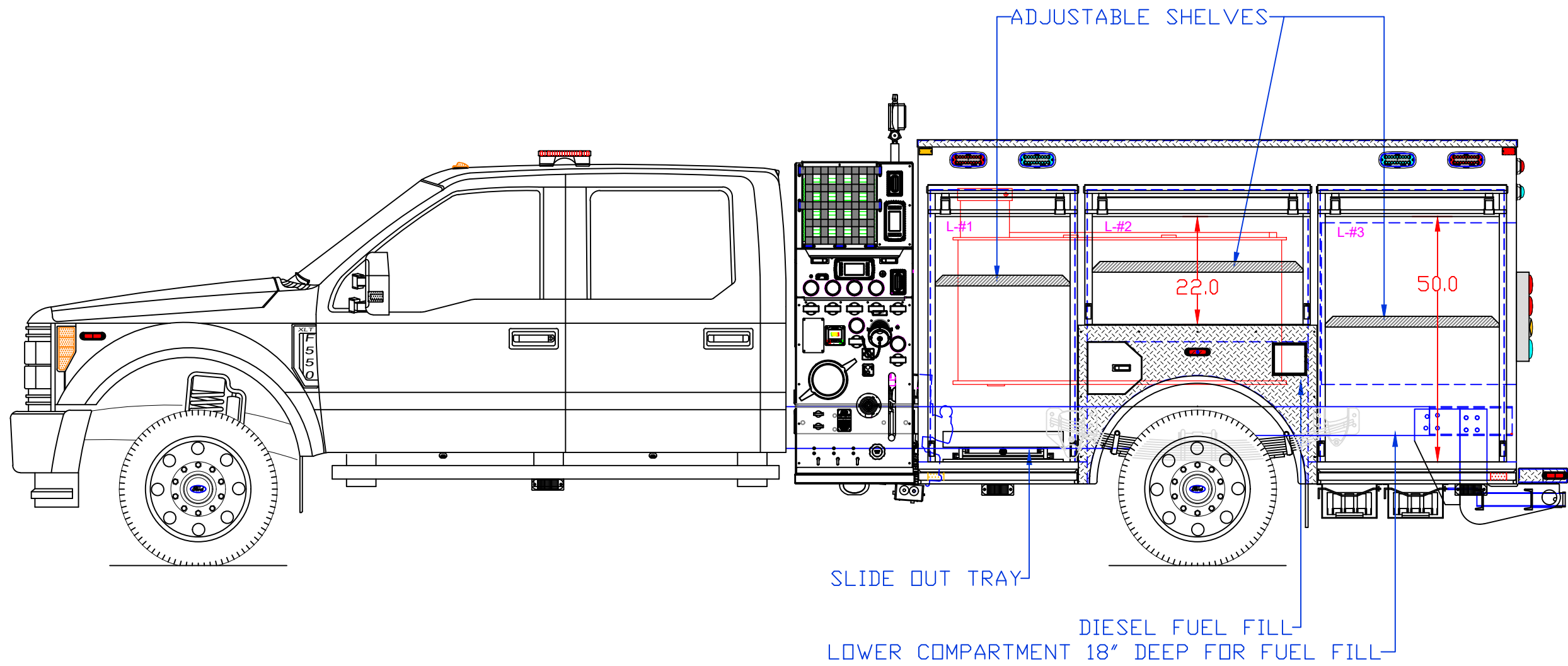


WARD APPARATUS
 1250 SCHWEIZER ROAD PHONE (607) 796-0149
 HORSEHEADS, NY 14845 FAX (607) 739-7092

CUSTOMER APPROVED BY:	
VEHICLE TYPE: ATP 1500 SERIES	CHASSIS: FORD F-550 4 DR CREW CAB 4X4
VIEW: TOP VIEW	BODY MAT'L: ALUMINUM
SCALE: NTS	BODY LENGTH: 122"
DRAWN BY: DS	APPROVED BY:
DATE: 01-31-2023	BODY STYLE:
DWG NO.: CBS_MINIPUMPER	REVISION: A_03-15-2023

CAMPBELL SUPPLY_MINI PUMPER DEMO

NOTE: ALL DIMENSIONS ARE APPROXIMATE



WARD APPARATUS

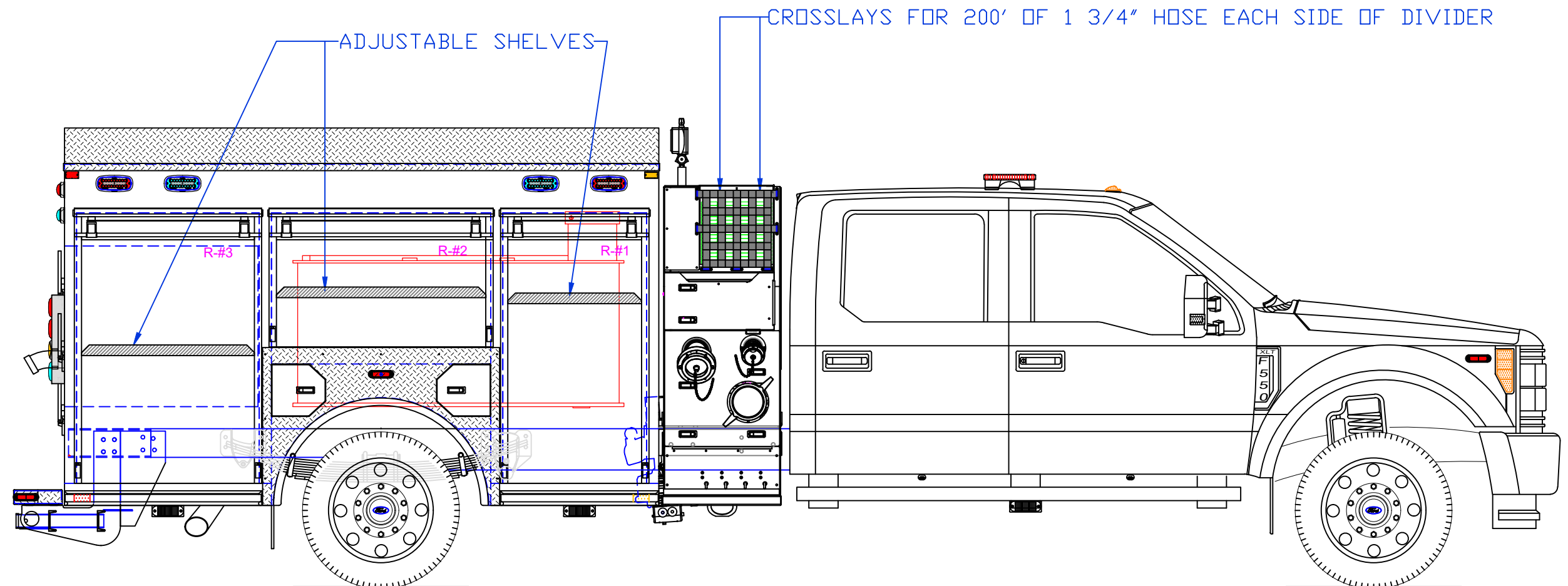
1250 SCHWEIZER ROAD PHONE (607) 796-0149
 HORSEHEADS, NY 14845 FAX (607) 739-7092

CUSTOMER APPROVED BY:

VEHICLE TYPE: ATP 1500 SERIES	CHASSIS: FORD F-550 4 DR CREW CAB 4X4
VIEW: DRIVER'S INTERIOR	BODY MAT'L: ALUMINUM
SCALE: NTS	BODY LENGTH: 122"
DRAWN BY: DS	APPROVED BY:
DATE: 01-31-2023	BODY STYLE:
DWG NO.: CBS_MINI PUMPER	REVISION: A_03-15-2023

CAMPBELL SUPPLY_MINI PUMPER DEMO

NOTE: ALL DIMENSIONS ARE APPROXIMATE



WARD APPARATUS

1250 SCHWEIZER ROAD PHONE (607) 796-0149
 HORSEHEADS, NY 14845 FAX (607) 739-7092

CUSTOMER APPROVED BY:

VEHICLE TYPE: ATP 1500 SERIES	CHASSIS: FORD F-550 4 DR CREW CAB 4X4
VIEW: OFFICER'S INTERIOR	BODY MAT'L: ALUMINUM
SCALE: NTS	BODY LENGTH: 122"
DRAWN BY: DS	APPROVED BY:
DATE: 01-31-2023	BODY STYLE:
DWG NO.: CBS_MINIPUMPER	REVISION: A_03-15-2023

CAMPBELL SUPPLY_MINI PUMPER DEMO

NOTE: ALL DIMENSIONS ARE APPROXIMATE